

Network Programming

Process Memory Space

Note: This class lecture will be recorded!

If you do not consent to this recording, please do not ask questions via your video, audio or public chat; send your question to the instructor using the private chat.

Lisa Frye, Instructor

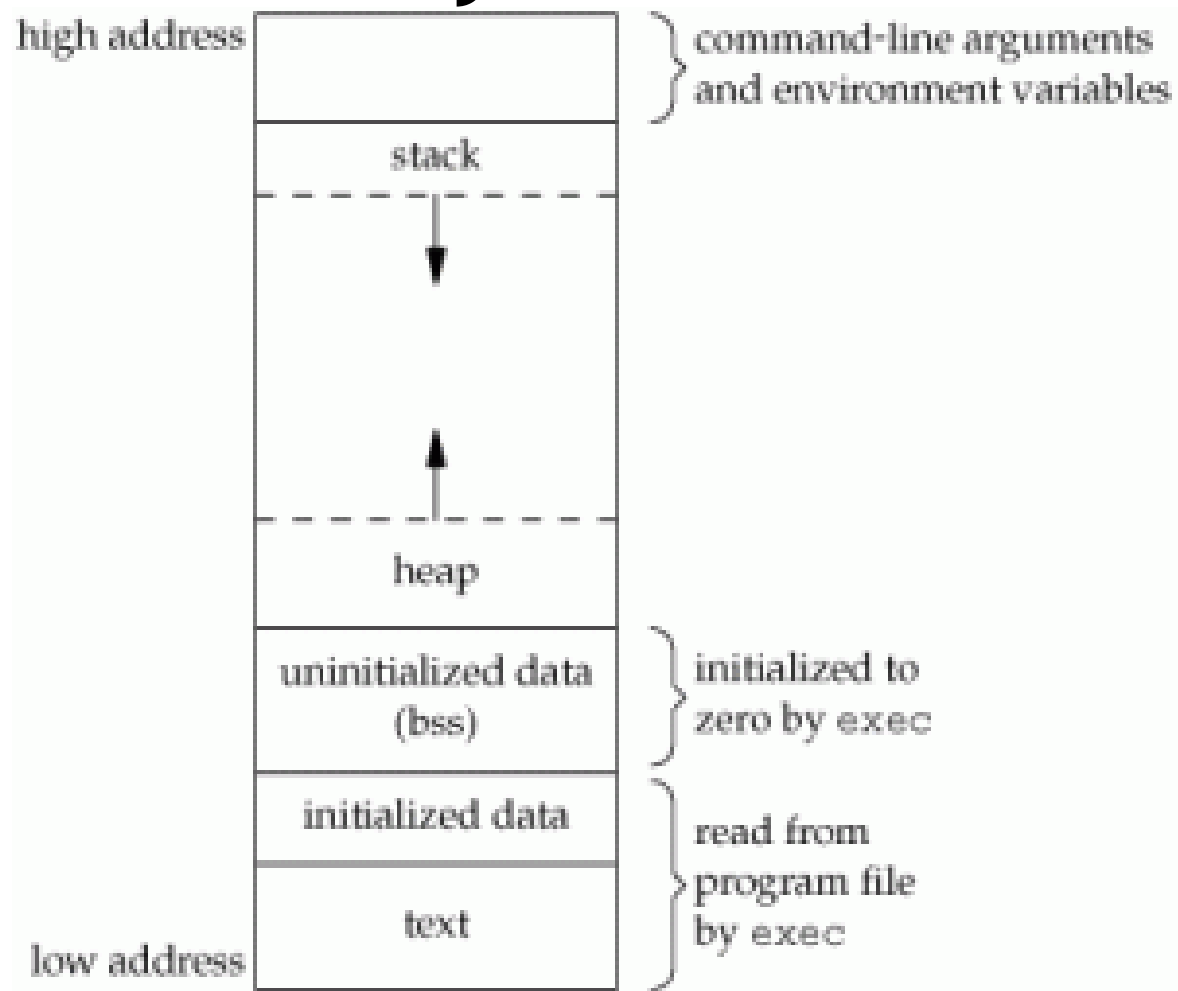
frye@Kutztown.edu

Kutztown University

Memory Segments

- ▶ Text segment
- ▶ Data segment
- ▶ Stack segment
- ▶ Heap segment

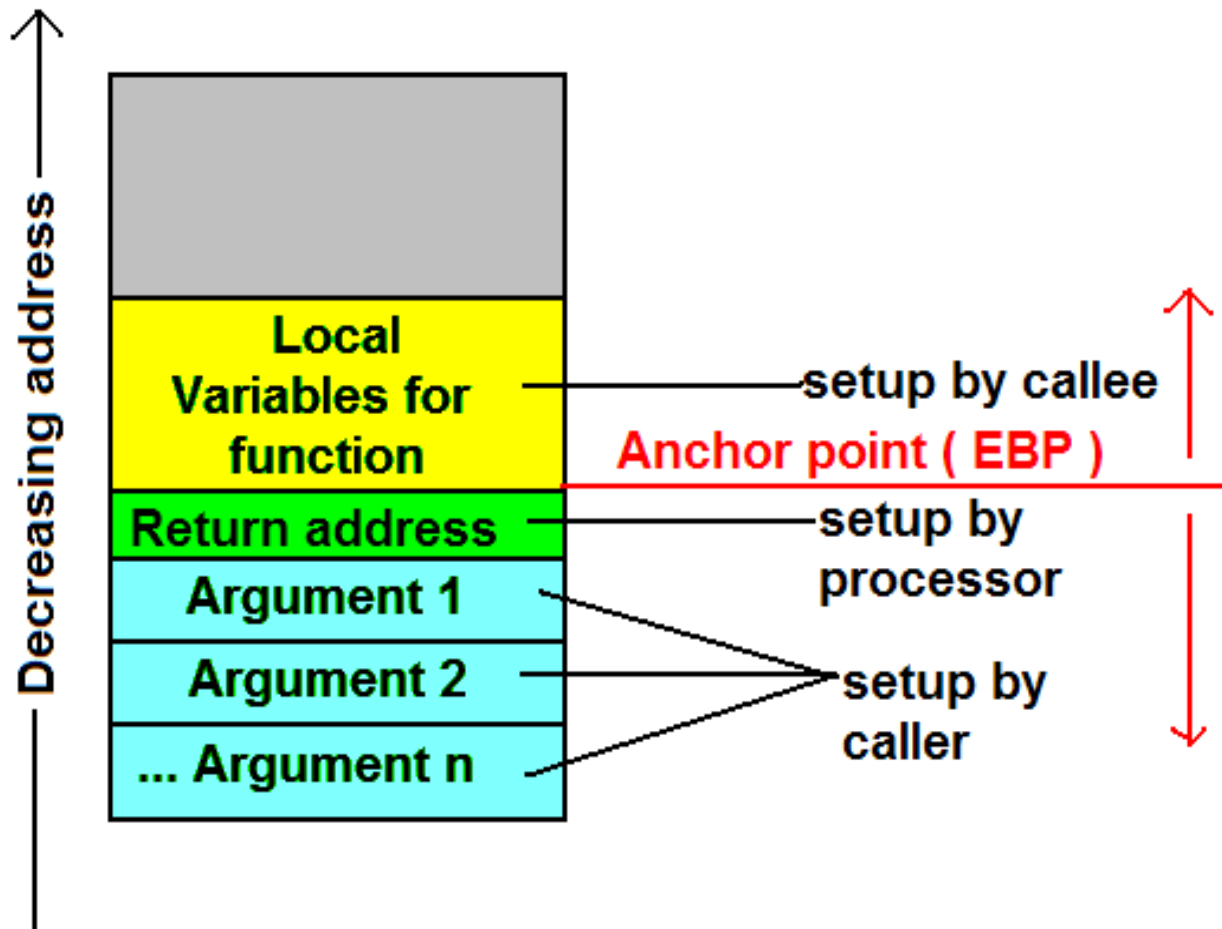
Process Memory



Stack

- ▶ Stack Frames / Activation Records
- ▶ LIFO
 - ▶ What are the possible operations on the stack?
- ▶ Stack Pointer
- ▶ Stack Overflow

Function Call → Stack Frame



Heap

- ▶ Dynamic Allocation
- ▶ When is memory allocated in the heap?
- ▶ How is heap memory accessed?