

CSC252 – UNIX

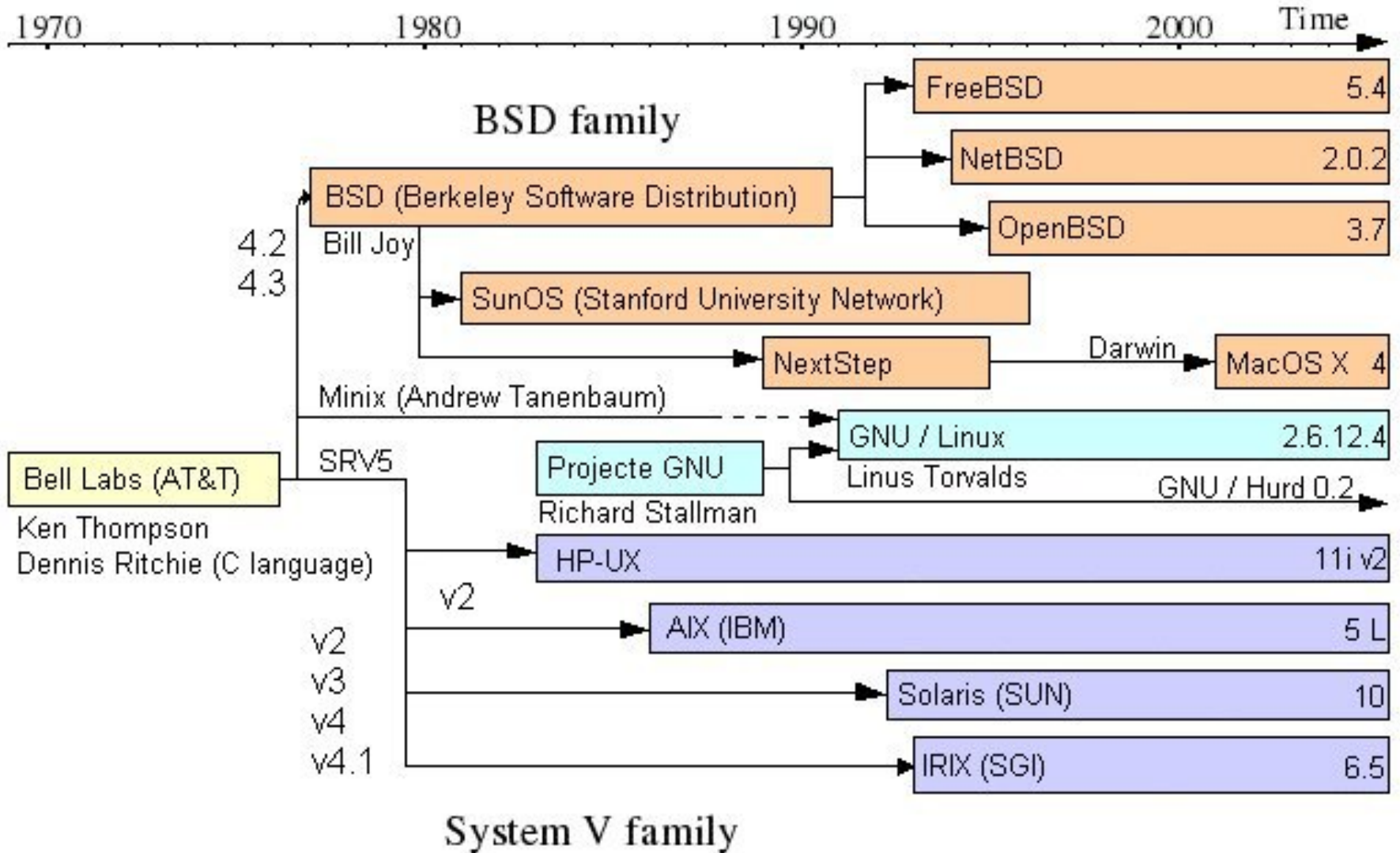
INTRODUCTION (CHAPTER 1)

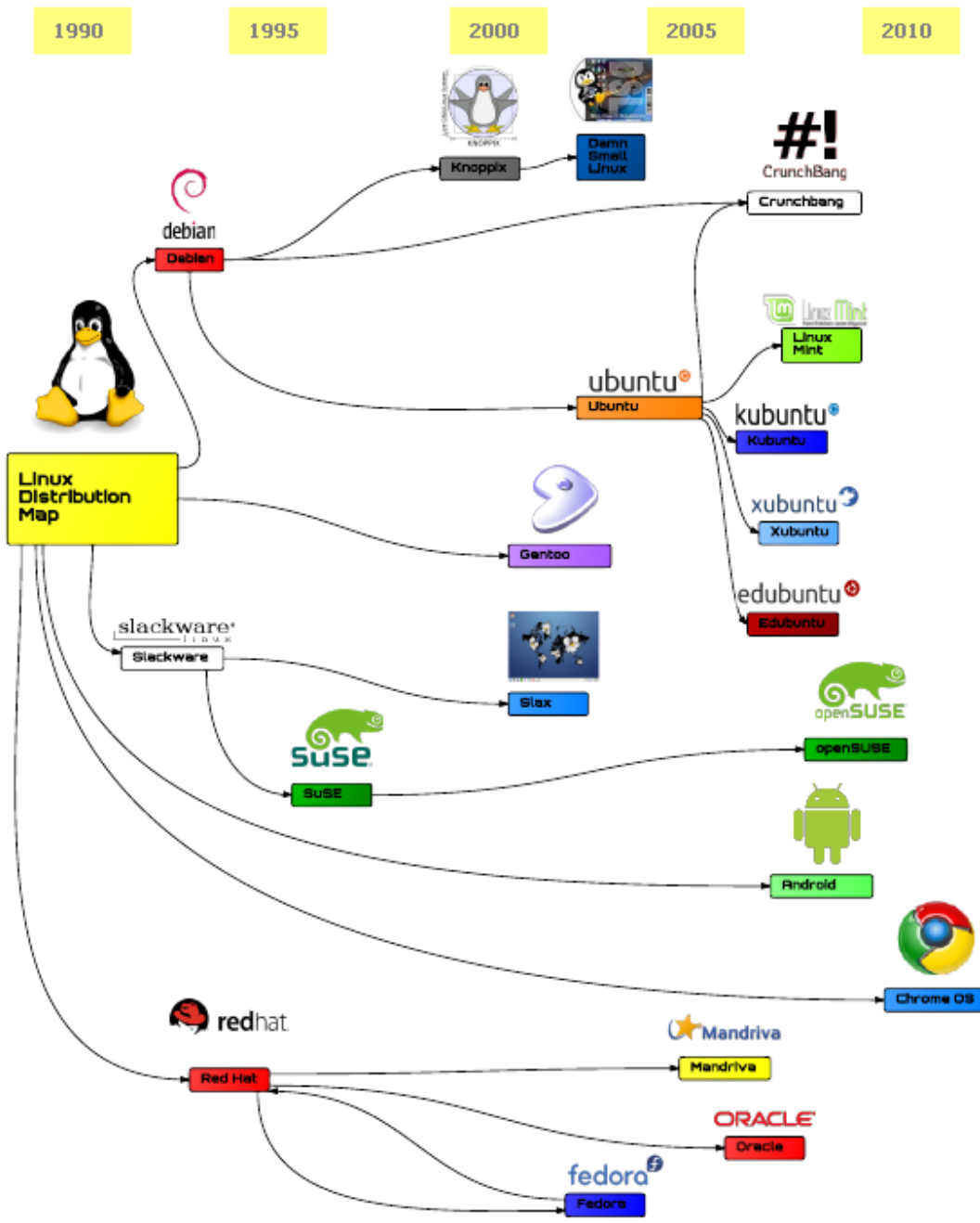


Lisa Frye, Instructor
Kutztown University
frye@kutztown.edu

TYPICAL COMPUTER SYSTEM

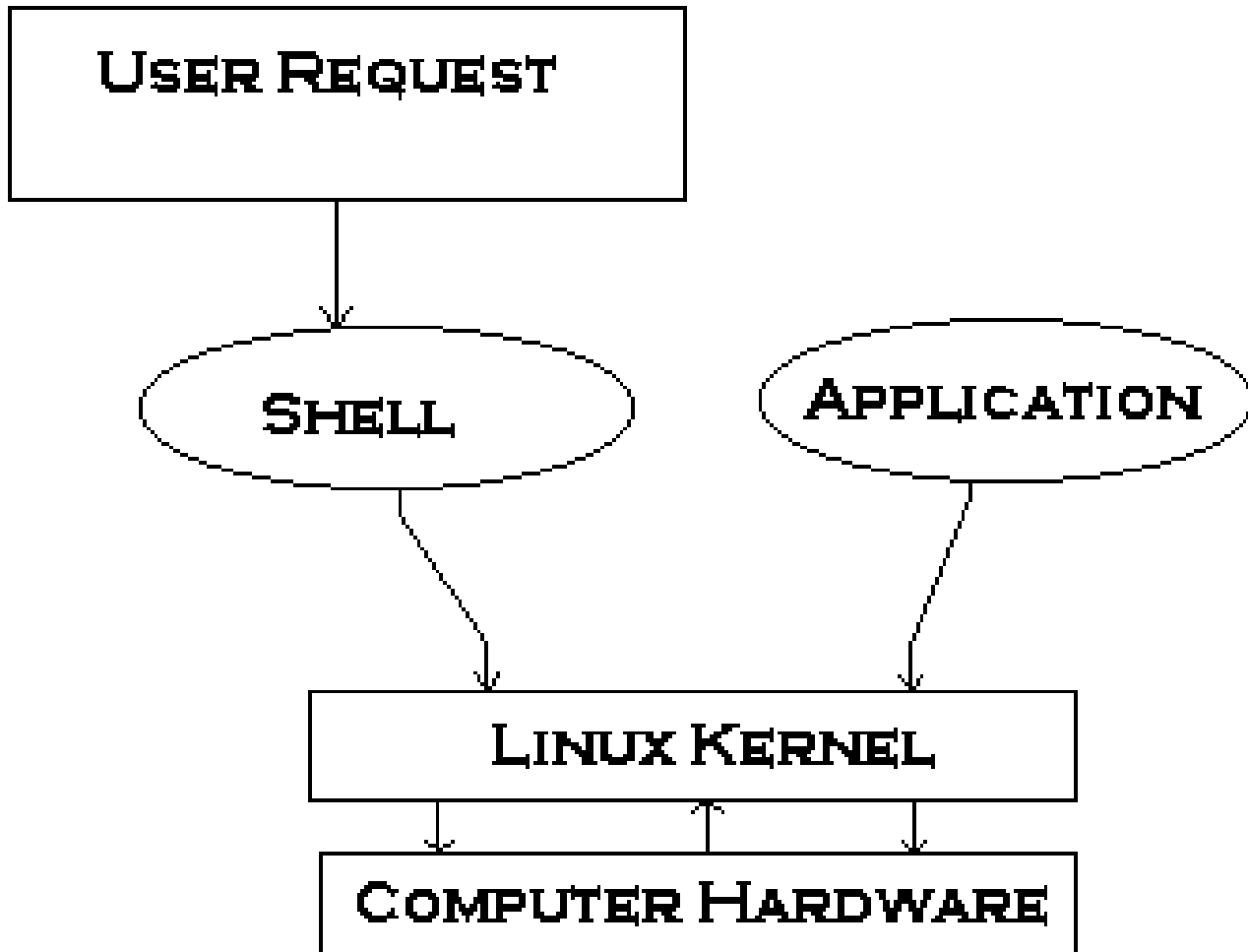
- CPU
- Memory
 - RAM
 - ROM
- Disk
- Storage devices (CD-ROM drive, floppy, tape)
- Monitor
- Keyboard
- Mouse
- Printer
- Modem
- Network Interface Card (NIC)



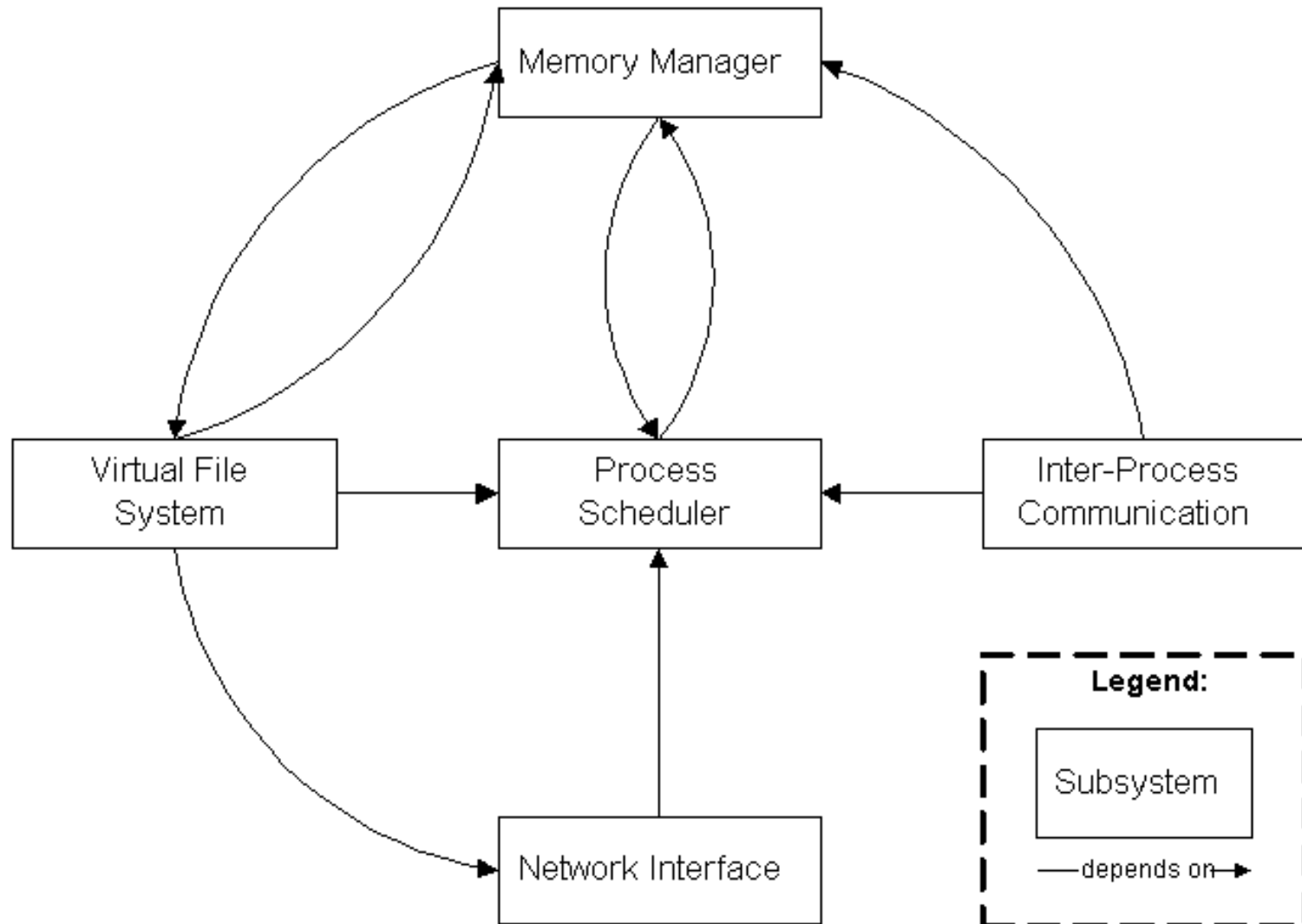


UNIX ADVANTAGES

- Portable
- Open system
- Networking comes naturally
- Hierarchical file system
- Better memory management
- Allows piping
- Freeware



KERNEL SUBSYSTEMS



KERNEL

- Process
- File
- User communicate with kernel
- Kernel data structures
 - Process table
 - Open file table
- Modes
- Interrupt

KU UNIX SYSTEMS

- SunOS
 - harry
- csitrd (csit, acad, login) - CentOS
- csitfp - CentOS
- luna - CentOS
- hermione - CentOS
- dumbledore – CentOS
- vsspherecs – CMWare ESXi